

PRODUCT SPECIFICATIONS

Model: Colt Series - Colt Deluxe (SC710DX)

Manufacturer: Pride Mobility Products Ltd.

Internet Address: www.pridemobility.com

Document Information: INFINF2694/Rev C/August 2012

COLT DELUXE	
Model Number	SC710DX
Class of Use	B
Weight Capacity	181 kg; 28 stone 8 lbs. (400 lbs.)
Speed (Maximum) ¹	10 km/h (6.25 mph)
Ground Clearance ²	5.7 cm (2.25 in.) at motor
Turning Radius ²	133.35 cm (52.5 in.)
Overall Length ²	119.4 cm (47 in.)
Overall Width ²	56 cm (22 in.)
Tyres	25.4 cm (10 in.) solid
Range Per Charge ^{1, 4}	Up to 39.18 km (21 miles)
Total Weight Without Batteries ^{2, 5}	68 kg (150 lbs.)
Heaviest Piece When Disassembled	Front section: 29.48 kg (65 lbs.)
Standard Seating	Type: CRS Junior Weight: 19 kg (42 lbs.) Material: Black Vinyl Dimensions: 44.45 cm (17.5 in.) overall width 43.18 cm (17 in.) effective depth
Drive System	Rear-wheel drive, sealed transaxle, 24-volt DC motor
Dual Braking System	Regenerative and electromechanical
Battery Requirements ^{3, 6}	Two 12-volt, deep-cycle; Size: 31–36 Ah or optional 40 Ah Battery Weight: 11 kg (24.5 lbs.) each 40 Ah Battery Weight: 14.74 kg (32.5 lbs.) each
Battery Charger	Off-board
Maximum Allowable Incline ⁷	10.5% (6°)
Maximum Angle Capacity	17.6% (10°)
Maximum Obstacle Climbing Ability	5 cm (2 in.)

¹ Varies with user weight, terrain type, battery amp-hour (Ah), battery charge, battery condition and tyre condition. This specification can be subject to a variance of +10%, -5%.

² Due to manufacturing tolerances and continual product improvement, this specification can be subject to a variance of (+ or -) 3%.

³ AGM or Gel-Cell type required. See IV. "Batteries and Charging."

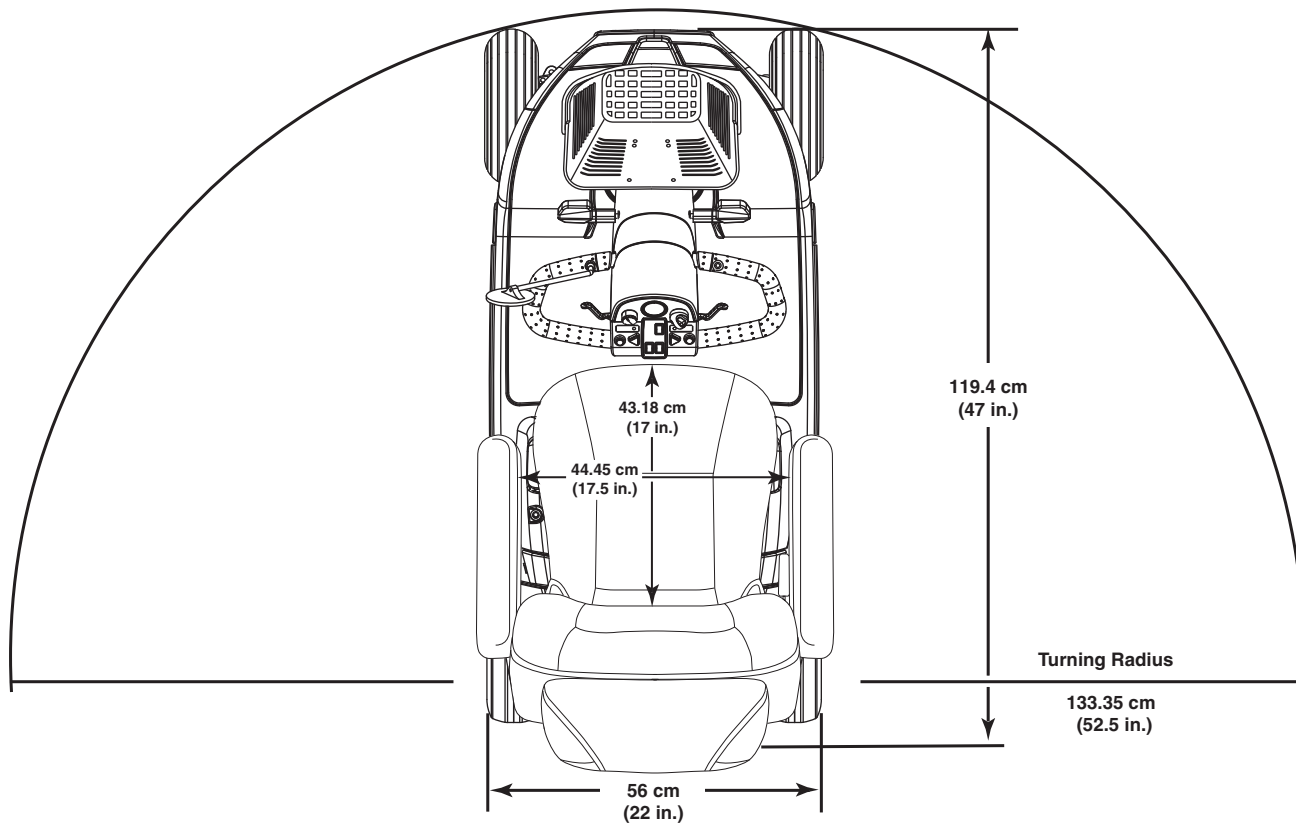
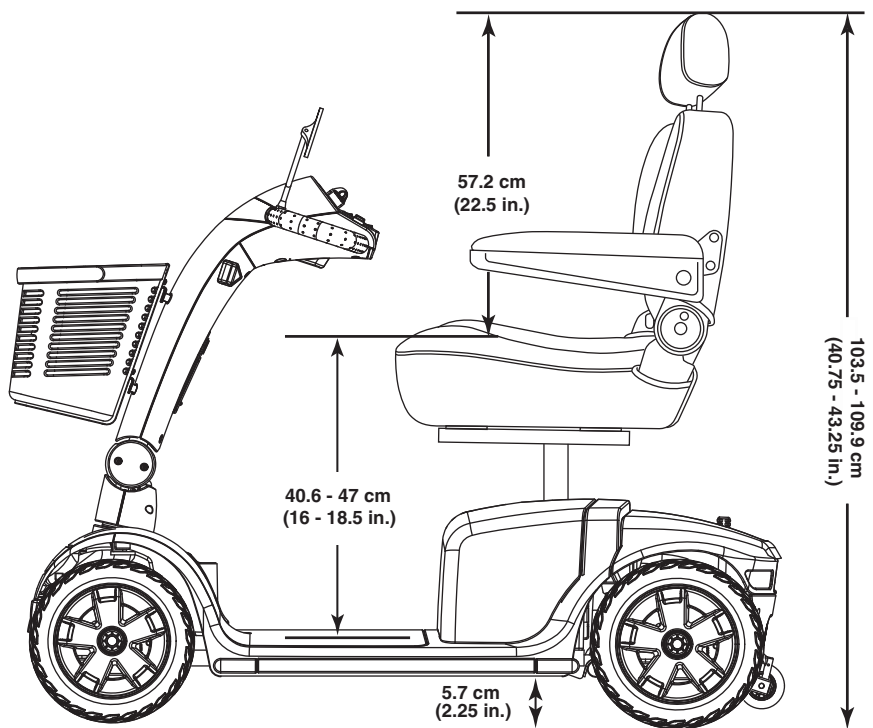
⁴ Tested in accordance with ANSI/RESNA, WC Vol 2, Section 4 & ISO 7176-4 standards. Results derived from theoretical calculation based on battery specifications and drive system performance. Test conducted at maximum weight capacity.

⁵ Includes standard seat.

⁶ Battery weight may vary based on manufacturer.

⁷ Tested in accordance with ISO7176-22, 2000 and ISO 7176-11, 1992 standards.

NOTE: This product conforms to all applicable ANSI/RESNA testing requirements and ISO 7176 series EN12184 standards. * I N F I N F B 2 6 9 4 *
All specifications subject to change without notice.



Colt Deluxe (SC710DX) Dimensions

* I N F I N F B 2 6 9 4 *